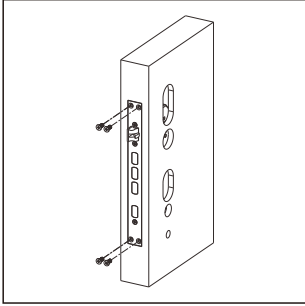


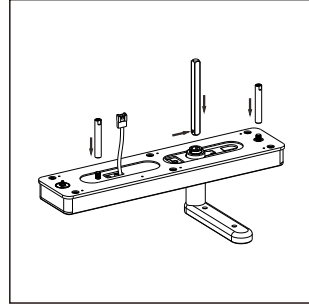
**FINGERPRINT DOOR LOCK**

**M500**

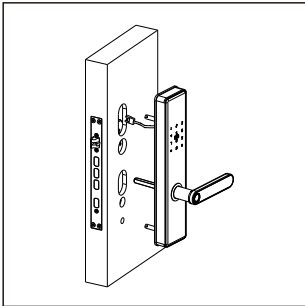
# Installation



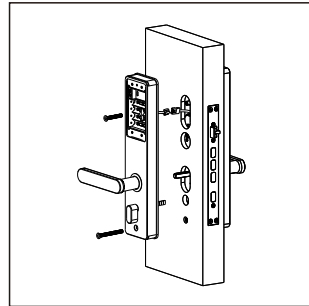
- a** Drill the holes on the door and then install the mortise into the door;



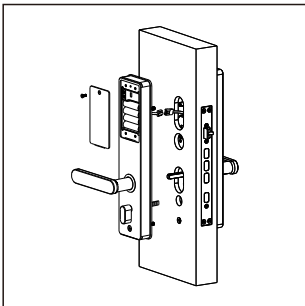
- b** Install the spindle into the handle hole in the front panel, and then insert the rod and fasten it;



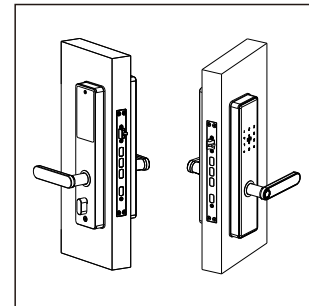
- c** Install the front panel on the door



- d** Connect the cable between the front and back panels

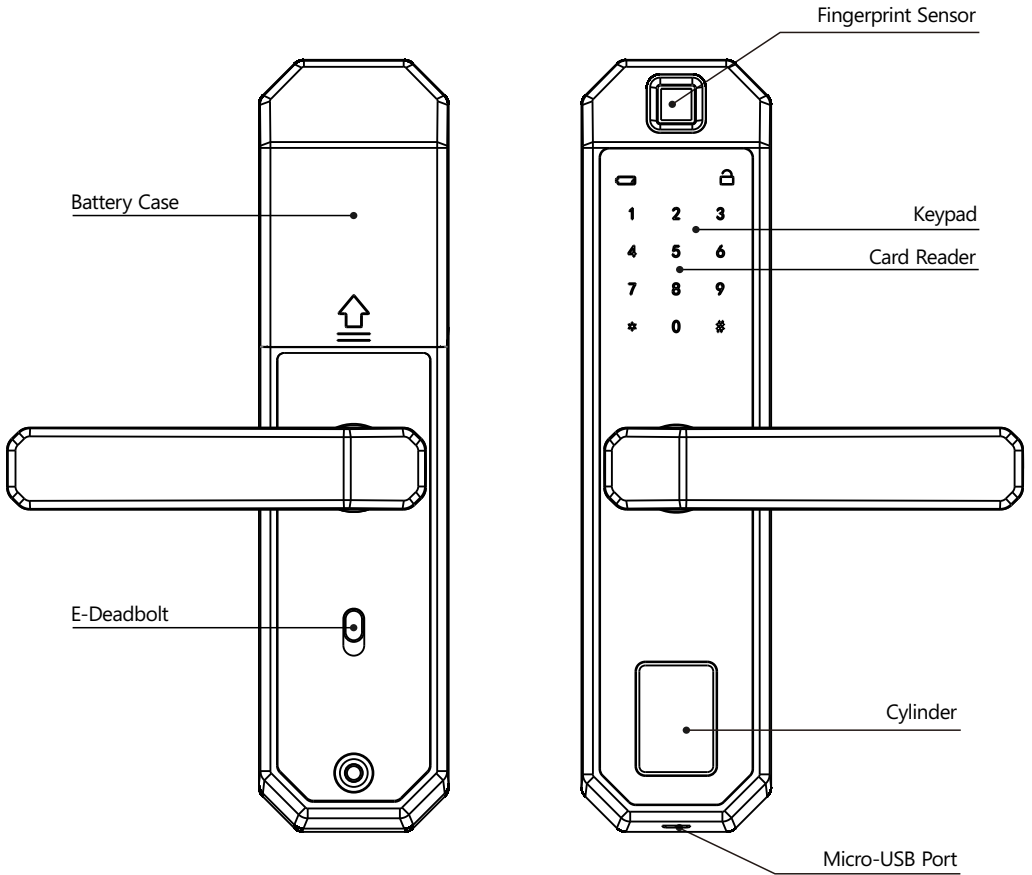


- e** Install the back panel on the other side of door, and then fasten both panels and install the batteries.



- f** Test the installation to confirm the installation is successful.

# Product Guide

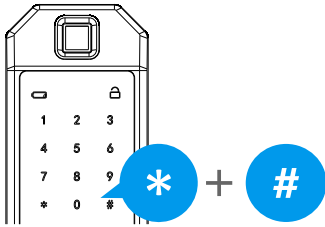


## Brief Introduction

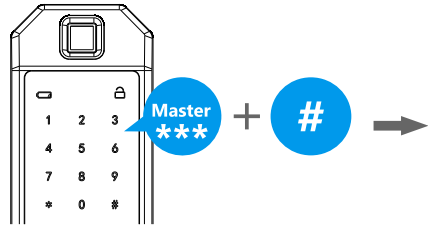
1. The default master password is "123-456";
2. There are total 300 users available, 9 users are the master users, 291 are the normal users normal users in the lock;
3. The password can be 6 to 8 digits;
4. The micro-USB port is at the bottom of front panel, which is the port for emergency power supply;
5. The lock has 2 unlocking modes: Single Unlocking Mode and Double Unlocking Mode.

# Operation

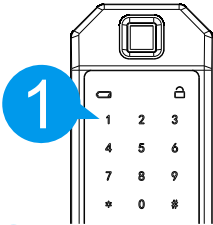
## 1 Register Master User



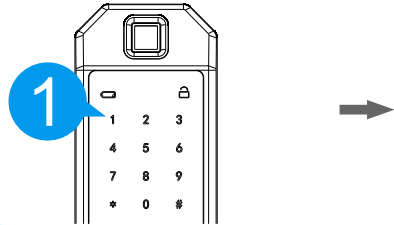
(a) Input \* + #



(b) Input the master user for authorization, press # to confirm



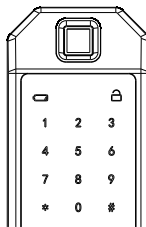
(c) Input 1 for master user



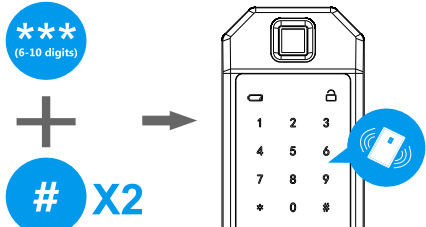
(d) Input 1 to register master user



(e) Fingerprint: place the fingerprint on the sensor for 3 times to register



(f) Password: input the password, and press # to confirm in 2 times



(g) Card: place the card close to the card reader to register.



**The master password can be 6 to 8 digits;**



**For new lock, the default master password is "123-456".**

**When a new master user is registered in the lock, this default password is deleted automatically.**



**There are up to 9 master users available in the lock.**

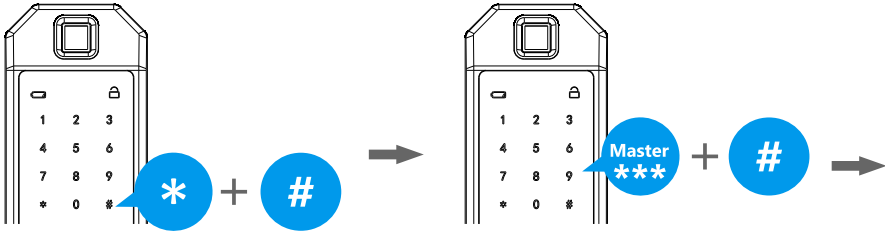


**It is suggested to make a list to record the users' ID numbers for a better management.**



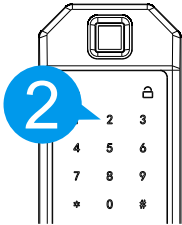
**Once finishing the operations, please try to unlock the lock to confirm the operation is successful.**

## 2 Add Normal User

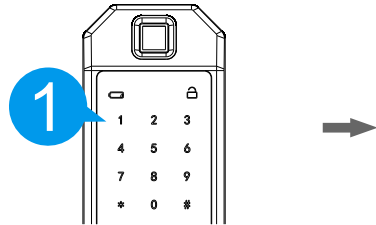


a Input \* + #

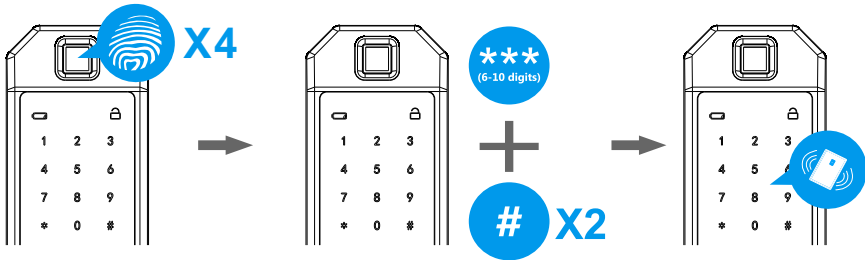
b Input the master user for authorization, press # to confirm



c Input 2 for normal user



d Input 1 to register normal user



e Fingerprint: place the fingerprint on the sensor for 4 times to register

f Password: input the password, and press # to confirm in 2 times

g Card: place the card close to the card reader to register.

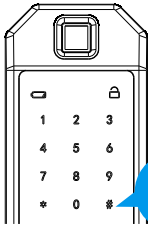
 **The master password can be 6 to 8 digits;**

 **There are up to 291 normal users available in the lock.**

 **It is suggested to make a list to record the users' ID numbers for a better management.**

 **Once finishing the operations, please try to unlock the lock to confirm the operation is successful.**

### 3 Delete Master User



+ #

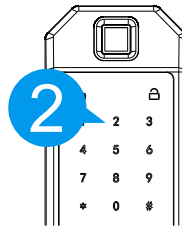
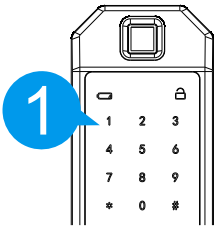


+ #



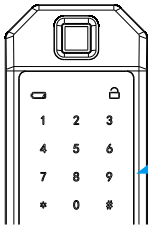
a Input \* + #

b Input the master user for authorization, press # to confirm



c Input 1 for master user

d Input 2 to delete master user



+ #

e Input the ID number you want to delete, press # to confirm

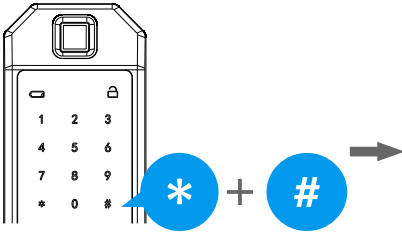


**The master user which is used to log in the system can not be deleted.**

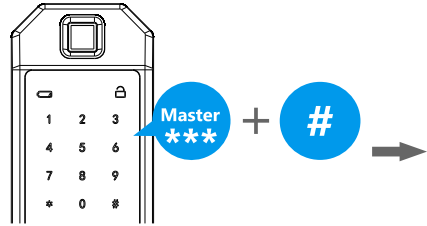


**Once finishing the operations, please try to unlock the lock to confirm the operation is successful.**

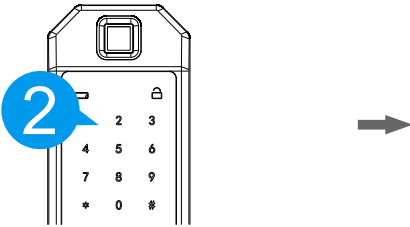
## 4 Delete Normal User (Single User)



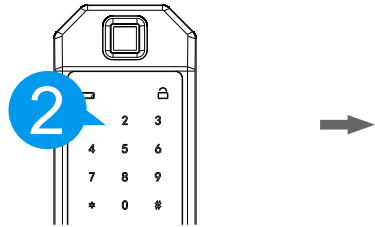
a Input \* + #



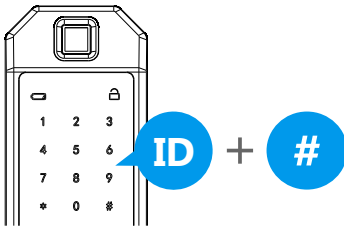
b Input the master user for authorization, press # to confirm



c Input 2 for normal user



d Input 2 to delete single normal user



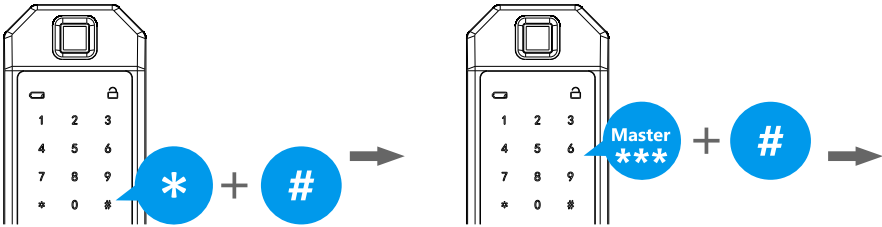
e Input the ID number you want to delete, press # to confirm



**Once finishing the operations, please try to unlock the lock to confirm the operation is successful.**

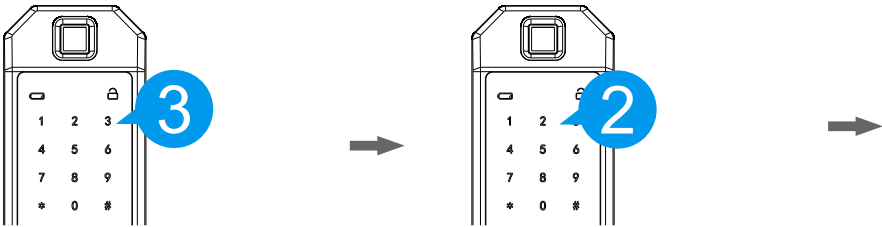
# 5 Unlocking Mode

Sometimes if you need a higher security level, you can set up the lock in double unlocking mode, which the unlock needs 2 registered users for unlocking each time.



a Input \* + #

b Input the master user for authorization, press # to confirm



c Input 3 for system setting

d Input 2 for unlocking mode



e Single unlocking: input 1

f Double unlocking: input 2



**Once finishing the operations, please try to unlock the lock to confirm the operation is successful.**



**When the lock is under double unlocking mode, you have to input 2 registered users to unlock every time.**



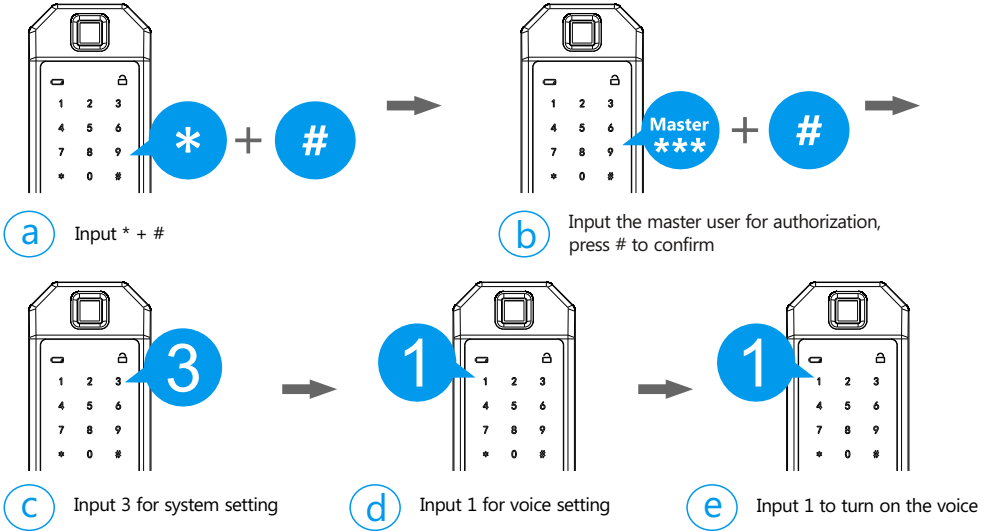
**The master users can unlock directly even the lock is under double unlocking mode.**



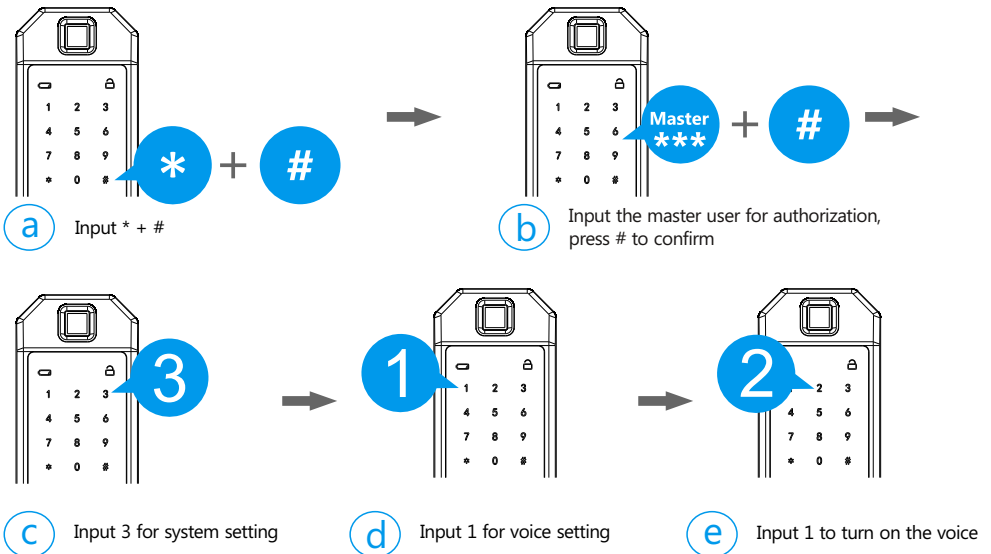
# 6 Voice Setting

You can turn on/off the voice for unlocking

## Enable:

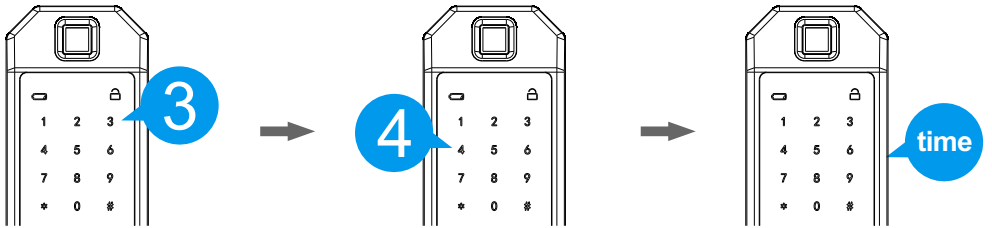
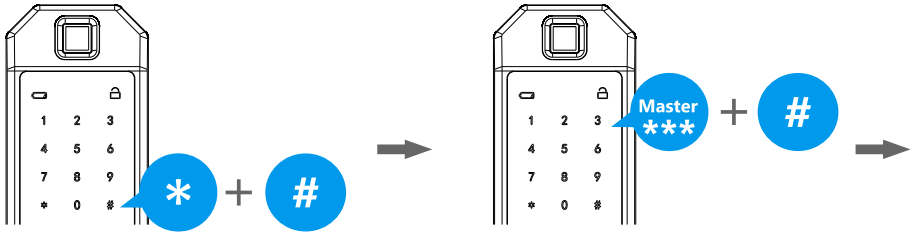


## Disable:



**!** Once finishing the operations, please try to unlock the lock to confirm the operation is successful.

## 7 Time Setting



**⚠** The format for the date and time is 2 digits, which is Year (XX) – Month (XX) – Day (XX) -Hour (XX) – Minute (XX). For example: March 21th, 2019 at 13:45 is 1903211345.

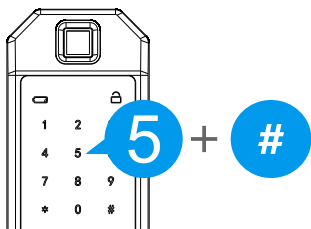
## 8 Passage Mode

When the lock is required to unlock frequently, set the lock to passage mode can let the people unlock the lock without any identification.

### Enable:



## Disable:

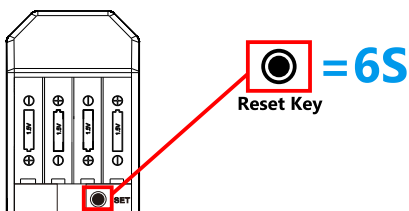


- a Activate the lock and then input 5 + # to cancel the passage mode.

## 9 Restore The Lock

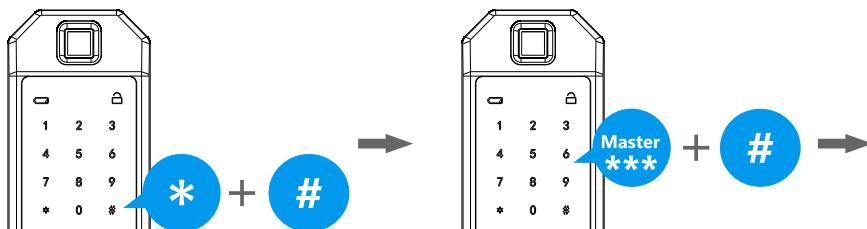
When the lock has problems and you can try to restore the lock to solve the problems.

### Option # 1



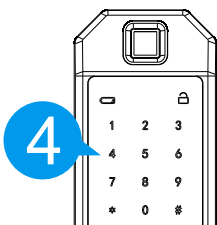
- a Press the reset key in the battery case for 6 seconds, and then the lock will be restored to the factory default. The master password will be restored to "123-456".

### Option # 2



- a Input \* + #

- b Input the master user for authorization, press # to confirm



- c Input 4 to restore the lock